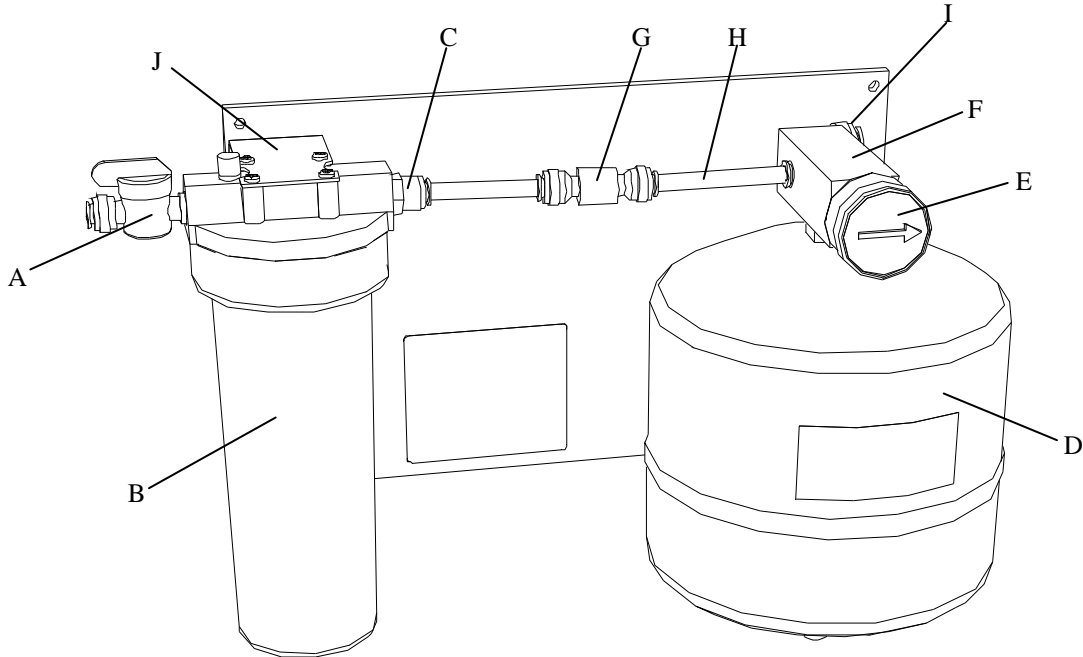
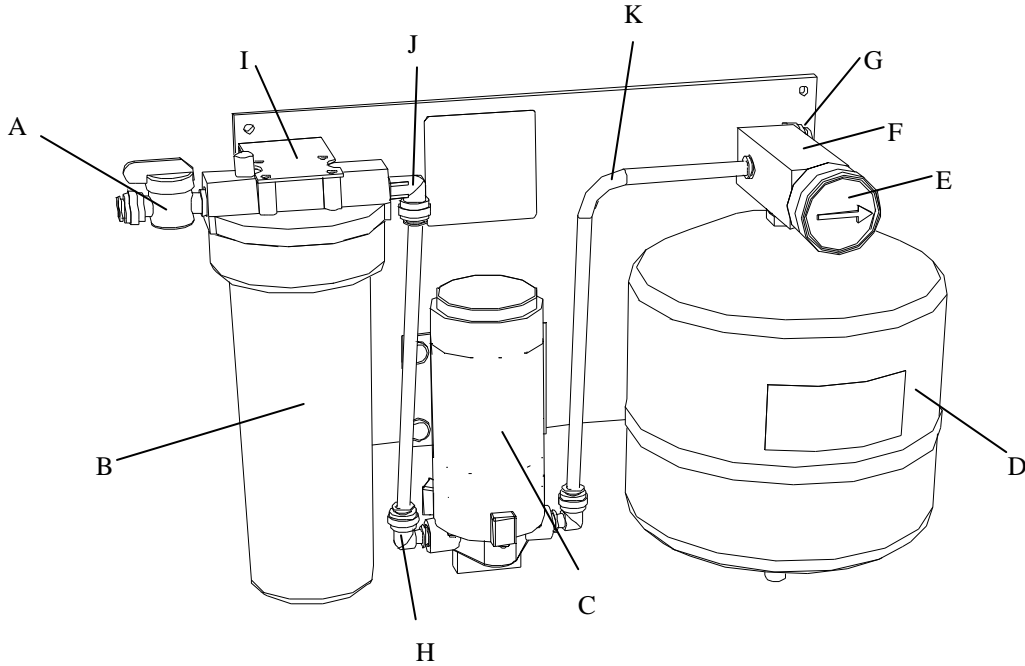


## WaterPak Filtration System



Item	Description	Part #
A	3/8" Ball Valve	JGBV38
B	Filter Housing	FH3810
C	3/8 X 3/8 Male Connector	JGMC38
D	Accumulator	WT3
E	Pressure Gauge	WPGCBM100NSF
F	Manifold with JG fittings	WPM
G	Check Valve	JGCV38
H	3/8" O.D. tubing	TB38
I	1/2 Stem Elbow Connector	JGSEC12
J	Filter Bracket	FB38181
	1 Micron Filter Cartridge	FCRB110
	<b>Waterpak Filtration (Complete)</b>	<b>WATERPAK</b>

## PumpPak Filtration System



Item	Description	Part#
A	3/8" Ball Valve	JGBV38
B	Filter Housing	FH3810
B1	1 Micron Filter Cartridge	FCRB110
C	Pump	PSF115U
D	Accumulator	WT3
E	Pressure Gauge	WPGCBM100
F	Manifold	WPM
G	1/2" Stem Elbow Connector	JGSEC12
H	3/8" Stem Elbow Connector	JGSEC38
I	Filter Bracket	FB38181
J	3/8" X 3/8" Male Elbow	JGME3838
K	3/8" O.D. Tubing	TB38
	Pumppak (Complete)	PUMPPAK